

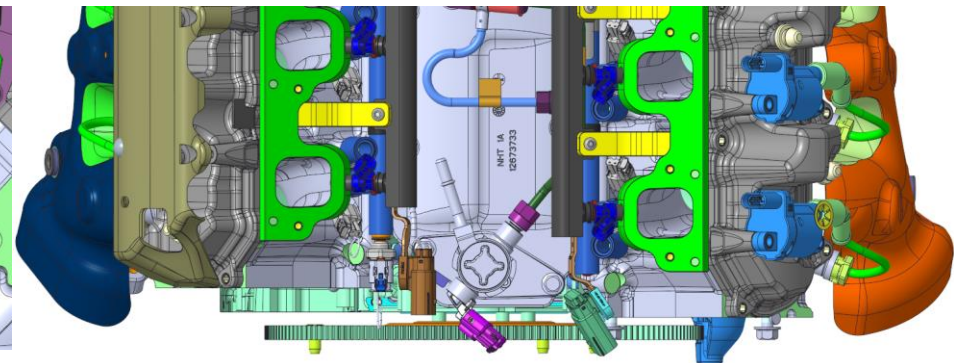
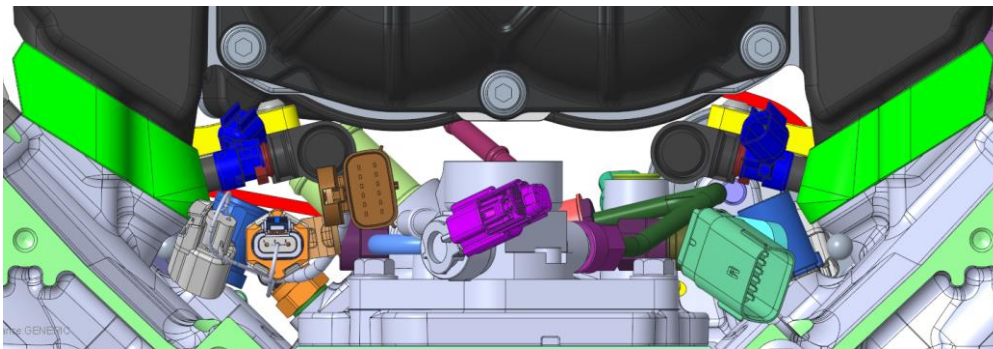
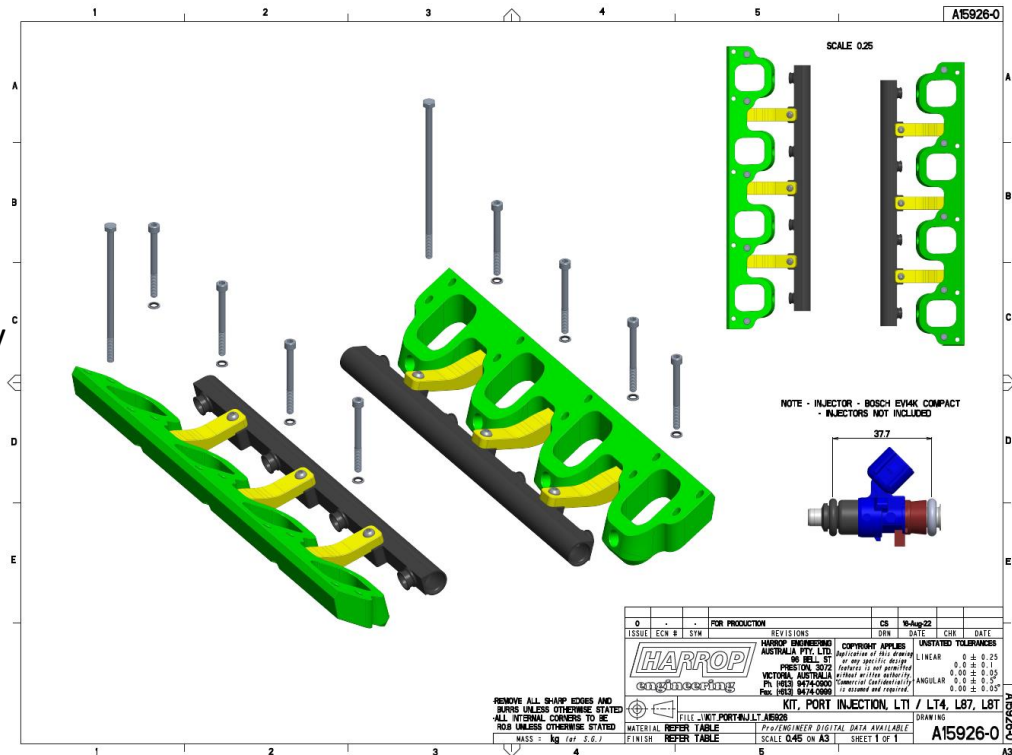
Tech Guide

GM L8T 6.6L 2650 Supercharger



Port injection kit – optional, P/N: 99-AKIT15926

- Aluminum anodized spacers, mounts, and fuel rails
- Lifts manifold ~28mm
- Injectors in valley for better injection angle
- Can be used in conjunction with OEM DI fuel system
- -8 ORB both ends of rail for fuel line installation flexibility
- Bosch EV14K compact injectors
- Can also be used with OEM or aftermarket manifolds for N/A applications
- Replacement of DI injectors with solid injector plugs is required for port only applications
- 33mm clearance from the port injection rails to the wiring harness at the rear of the engine



ENGINEERING PERFORMANCE SINCE 1955

02/05/2023